



Refractor Telescope  
30mm x 230mm Focal Length  
MODEL TT-330

SPECIFICATIONS

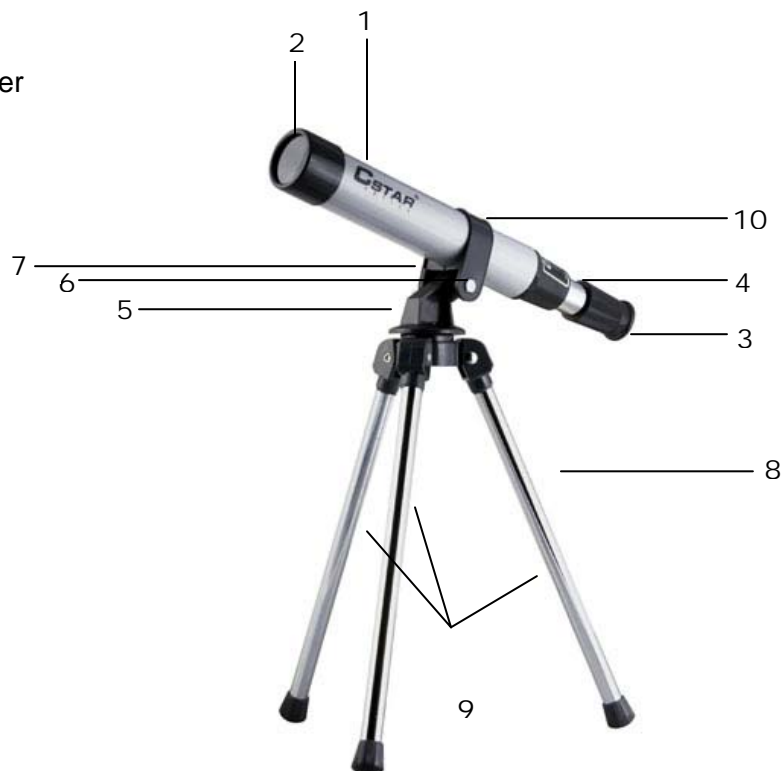
Focal Length.....230mm  
Objective Lens Diameter.....30mm  
Mount.....Alt-Azimuth  
Eyepiece.....Fixed Erect Image  
Tripod.....10 Inch Table-Top

MAGNIFICATION

<u>Eyepiece</u>	<u>Power</u>
Fixed	30x

PARTS OF TELESCOPE

1. Main Telescope Tube
2. Objective Lens
3. Fixed Eyepiece
4. Push/Pull Focus Tube
5. Alt-Azimuth Mount
6. Mounting Bolt
7. Large Wingnut
8. Tripod
9. Tripod Legs
10. Telescope Tube Holder



## ASSEMBLY

- 1) Locate your tripod (8) and spread out all three tripod legs (9).
- 2) Loosen the large wingnut (7) located on the telescope tube holder (10).
- 3) Remove the mounting bolt (6).
- 4) Slide the telescope tube (1) into the plastic tube holder (10).
- 5) Push the mounting bolt (6) through the plastic tube holder (10).
- 6) Secure the telescope tube into the plastic tube holder by tightening the large wingnut (7) until hand tight.

## HOW TO USE / HOW TO FOCUS

- 1) Pull out or Push in (adjust) the push/pull focus tube (4) slowly until the image is in focus.

## DAYTIME LAND VIEWING

If you are viewing nature such as wild-life on land during the day, the TT-330 will get you up 30 times closer than with your own eyes! The TT-330 corrects the normally upside down and reversed telescope image to a normal right side up and correct from left to right image. This is very convenient for Land Viewing. Your TT-330 is like a spotting scope and telescope all in one!

## NIGHT SKY VIEWING

There are many wonders to be seen in the Night Sky, such as the Earth's Moon, Planets, Star Clusters, Meteors, and other objects and astronomical events. For a complete list of Night Sky Objects and Events to view, Viewing locations and times, Viewing Tips, or Additional Astronomy Resources, please visit the Cstar Optics, Inc. website at [www.cstaroptics.com](http://www.cstaroptics.com).

## TELESCOPE CARE AND CSTAR OPTICS CUSTOMER SERVICE

Cstar builds its optical products to last for years. In order to be sure your telescope is able to perform as it was designed; gently blow away or remove with a small brush any debris or dust that falls on your eye piece lens or objective lens. To clean the telescope lenses of fingerprints or dirt, please use a soft non-abrasive cloth and softly rub in a circular motion until the lens is clean. Excessive rubbing, use of a coarse material, or chemical may scratch or remove coating from the lens surface and cause permanent damage. If your image ever seems to not come into focus or if you have trouble seeing the object you want to view, please contact Cstar Optics for assistance.

All Cstar telescopes come pre-aligned and adjusted. Please do not disassemble or attempt to realign the lenses, as doing so will void the warranty. Contact Cstar Optics, Inc. at 1-877-88-CSTAR or email at: [sales@cstaroptics.com](mailto:sales@cstaroptics.com) for assistance.

## 1 YEAR CSTAR LIMITED WARRANTY

**\*\*CAUTION!\*\***

**Do not use your telescope to look at the sun, as doing so will cause serious and irreparable eye damage.**

**WARNING: CHOKING HAZARD – Small Parts! Not intended for children under age 6 unless supervised by an adult.**