



MODEL SPECIFICATION

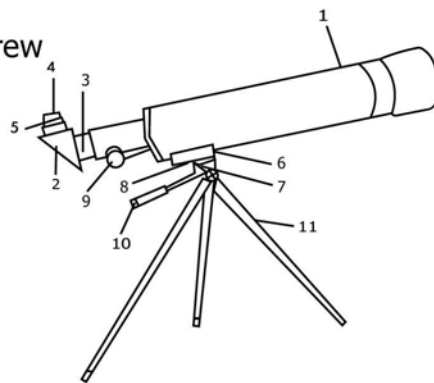
Focal Length	450mm
Objective Diameter	50mm
Mount	Camera Mount
Eyepieces	H20,SR6
Accessories	Table-Top Tripod 1.5x Erecting Lens 2x Barlow Lens Diagonal Mirror Lens

EYEPIECE CHART & THEORETICAL POWER LIMITS

<u>Eyepiece</u>	<u>Power</u>
H20	22X
SR6	75X

PARTS OF TELESCOPE:

1. Main Tube
2. Diagonal Mirror
3. Diagonal Mirror Holding Screw
4. Eyepiece Lens
5. Eyepiece Holding Screw
6. Tripod Holder
7. Tripod Platform
8. Tripod Securing Screw
9. Focus Wheel
10. Mount Adjustment Handle
11. Tripod Leg



ASSEMBLY

- Locate your tripod and extend all 3 legs (11).
- Attach the tube (1) to the tripod by placing the tube tripod holder (6) on to the top of the tripod platform (7).
- Next secure the tube to the tripod by turning the tripod securing screw (8) until hand tight.
- Insert your H20 eye-piece into the diagonal mirror (2) and secure in place by turning the diagonal mirror holding screw (5).
- Then adjust the focus wheel (9) to get clear and sharp viewing.

YOUR TT-150 ACCESSORIES AND USER GUIDE

1. Diagonal Mirror: Comes pre-inserted into your telescope. Gives Right-Side-Up images and allows for comfortable viewing.
2. 1.5x Erecting Lens: Remove the diagonal mirror and replace with this erecting lens. Insert your eye-piece into the end of this lens and see images that are Right-Side-Up and Corrected from Left to Right. This lens also increases your magnification by 1.5 times.
3. 2x Barlow Lens: To double your current magnification, remove the diagonal mirror and insert the 2x barlow lens. Insert the eye-piece into the end of the barlow lens.
4. Table-Top Tripod: Dual-Use tripod. Accepts your telescope or even a camera.
5. 2 Eye-pieces: H20mm and SR6

Your telescope can be used to view the Night Sky as well as Land Objects (Since most Telescopes normally give you Up-Side-Down, Reversed images, for best results when viewing objects on land, use the Diagonal Mirror or 1.5x Erecting Lens as described above.

TELESCOPE CARE AND CSTAR OPTICS CUSTOMER SERVICE

All Cstar telescopes come pre-aligned and adjusted. Please do not disassemble or attempt to realign the Mirrors, as doing so will void the warranty. Contact Cstar Optics, Inc. at 1-877-88CSTAR for assistance.

1 Year Cstar Limited Warranty

CAUTION

Do not use your telescope to look at the sun, as doing so will cause serious and irreparable eye damage.